

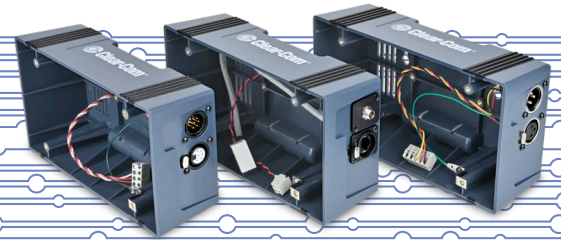
# U-Box Speaker Station Enclosure

Analog Partyline Intercom Systems

Linking  
People  
Together



U-Box-X6 with KB-702GM\*



U-Box-X3, U-Box-X6, and U-Box-RJ45

\*KB Speaker Station shown for reference only

## Key Features and Benefits

- Enclosure for KB speaker station
- Permanently installed or portable
- Integrated handles
- Vertical or angled KB installation
- Desktop or wall mount
- VESA 75 mounting option
- Rugged enclosure
- Available wired for single or dual-channel partyline and 4-wire

Clear-Com Encore® is a 2-wire analog partyline system with intuitive plug-and-play design and superior “Clear-Com Sound.”

## Description

The U-Box is a highly versatile, robust enclosure to convert any Clear-Com KB 4-Gang sized speaker station into a desktop, shelf or wall mount unit for portable or permanent installation. Each version of the U-Box contains all necessary wiring to attach a respective KB device to the enclosure. The U-Box can be mounted flush to a wall or desk with a provided angled mounting bracket. The mounting bracket provides 45° operation of the KB speaker station from horizontal and vertical surfaces. Screw head eyelets are available on both the U-Box and the wall mount for permanent fastening. The U-Box can also be fastened to a VESA 75 universal mount providing a wide range of mounting options available from third party vendors.

Various wiring configurations are available of the U-Box:

### U-Box-X3 - Single Channel

The U-Box is equipped with 3-pin male and female XLR connectors on the side of the U-Box, wired in parallel, for a single channel connectivity to a partyline intercom line. Internally, a pre-wired wiring harness is provided for an easy connection to the KB station. U-Box can be series-connected with other Clear-Com user stations and power supply.

### U-Box-X6- Dual Channel

The U-Box-X6 is equipped with “Switchcraft™-style” 6-pin male and female XLR connectors on the side of the U-Box-X6, wired in parallel, for dual channel connectivity to the partyline intercom line. Internally, a pre-wired wiring harness is provided for an easy connection to the KB station. U-Box-X6 can be series-connected with 6-pin capable Clear-Com stations and accessories, such as the RS-702 beltpack, YC-36 adaptors and dual pair IC-xxx-2P cables.

### U-Box-RJ45 - Four Wire for use with EB7-4W

The U-Box-RJ45 includes an etherCON® RJ45 connector and DC power jack mounted on the side panel. Internally, the connectors are wired to a terminal block for effortless connection to the EB7-4W four-wire adaptor. External Power Supply is required to power the U-Box-RJ45.

# U-Box Speaker Station Enclosure

Analog Partyline Intercom Systems

## Technical Specifications

### Connectors

#### U-Box-X3

XLR Partyline: 3-pin XLR-M/F

#### U-Box-X6

XLR Partyline: "Switchcraft-style"\* 6-pin XLR-M/F

#### U-Box-RJ45

Four-Wire: etherCON RJ45

Input Power Connector: DC 2.1mm Co-axial

### Environmental

32° - 158°F (0 - 70°C)

### Mounting

#### U-Box

Keyholes Center-to-Center: 4.0in (101.6mm)

Keyhole Diameter: 0.318-0.159in (8.08-4.04mm)

VESA Sockets Center-to-Center: 2.95in (75mm)

VESA Thread Type: M4x10

#### Mounting Bracket

Keyholes Center-to-Center: 5.9in (149.9mm)

### Dimensions

#### U-Box

4.5 x 8.2 x 2.8in (HxWxD)

(113.79 x 208.79 x 70.23mm)

#### U-Box in Mounting Bracket

5.4 x 8.3 x 6.1in (HxWxD)

(136.19 x 209.55 x 154.37mm)

### Weight

U-Box: 0.71lbs (0.32kg)

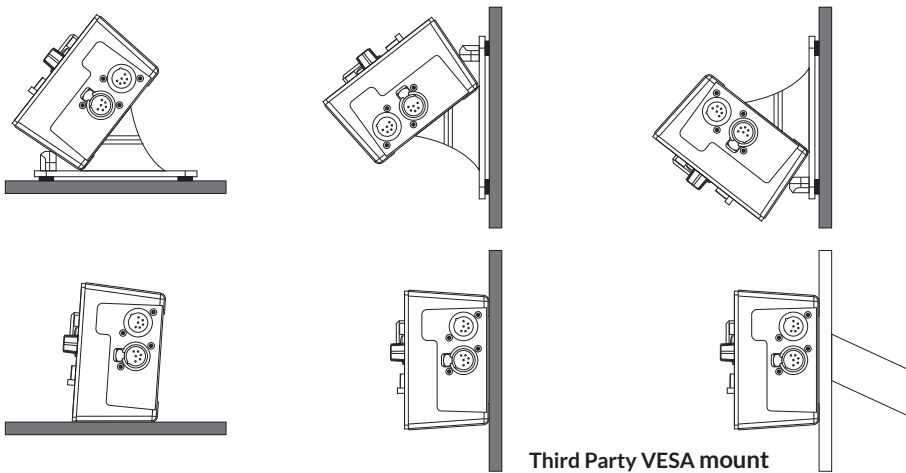
U-Box with Mounting Bracket: 0.90lbs (0.41kg)

U-Box with KB Speaker Station: 1.97lbs (0.89kg)

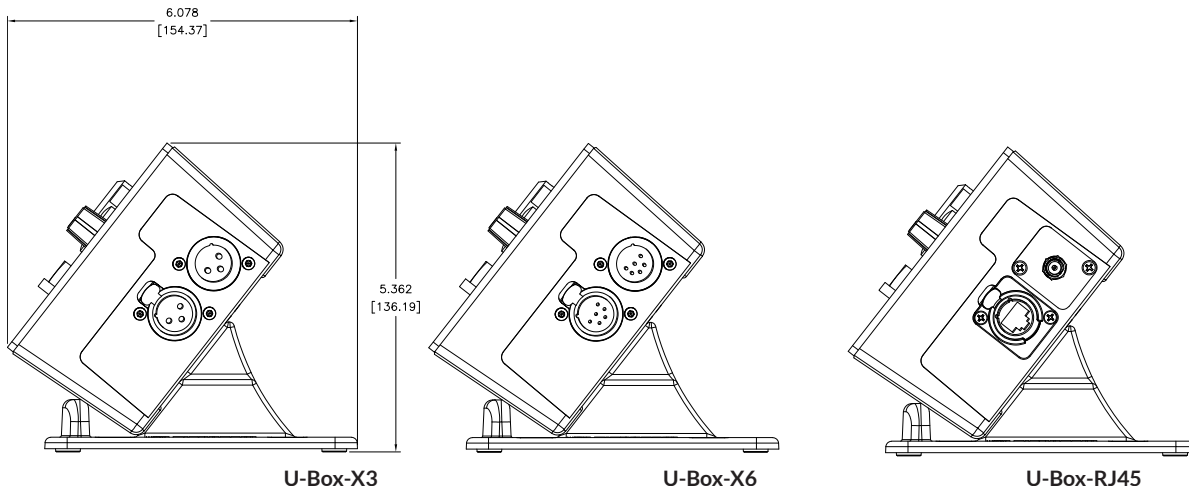
### \*IMPORTANT: XLR Connector Compatibility

Clear-Com products featuring 6-pin XLR connectors utilize the Switchcraft XLR pin layout. Compatible connectors are available from manufacturers, such as Switchcraft and Neutrik, yet compatibility must be verified. Neutrik 6-pin XLR connectors must include "S" in the part number to ensure compatibility.

## Mounting Options:



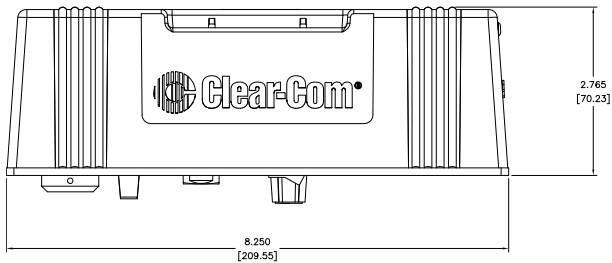
## U-Box (Right-Side View) on Mounting Bracket:



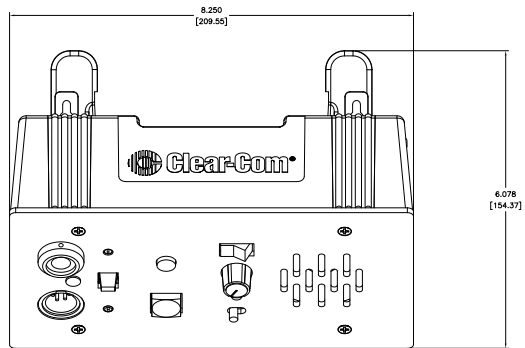
# U-Box Speaker Station Enclosure

Analog Partyline Intercom Systems

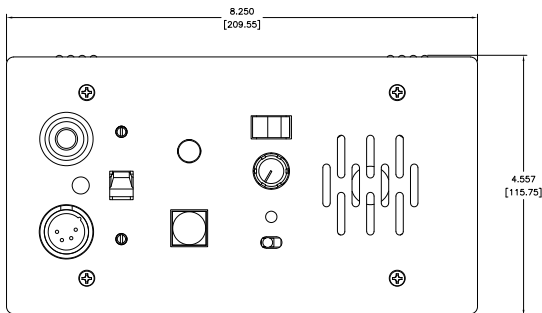
## U-Box Top



## U-Box Top on Mounting Bracket

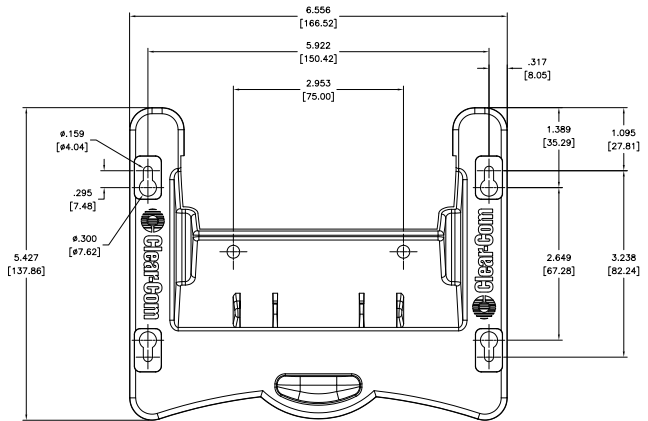


## U-Box Front

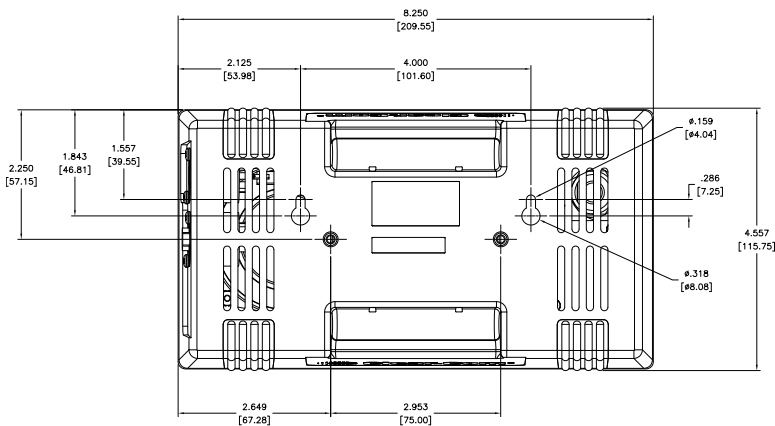


\*KB Speaker Station installed for reference only

## Mounting Bracket Top View



## U-Box Rear



### Order Code

- U-BOX-X3: Single-Channel
- U-BOX-X6: Dual-Channel
- U-BOX-RJ45: RJ45 Four-Wire
- PSU-EXT-003: Power supply for U-Box-RJ45

### U-Box Components

- Following included with U-Box:**
- 280038Z-SP: Screw Kit to fasten KB / HB  
- (4 screws) 6-32 x 1/2"
  - MECH-00246-SP: Mounting Bracket Kit



[www.clearcom.com/encore-knowledge-center/](http://www.clearcom.com/encore-knowledge-center/)